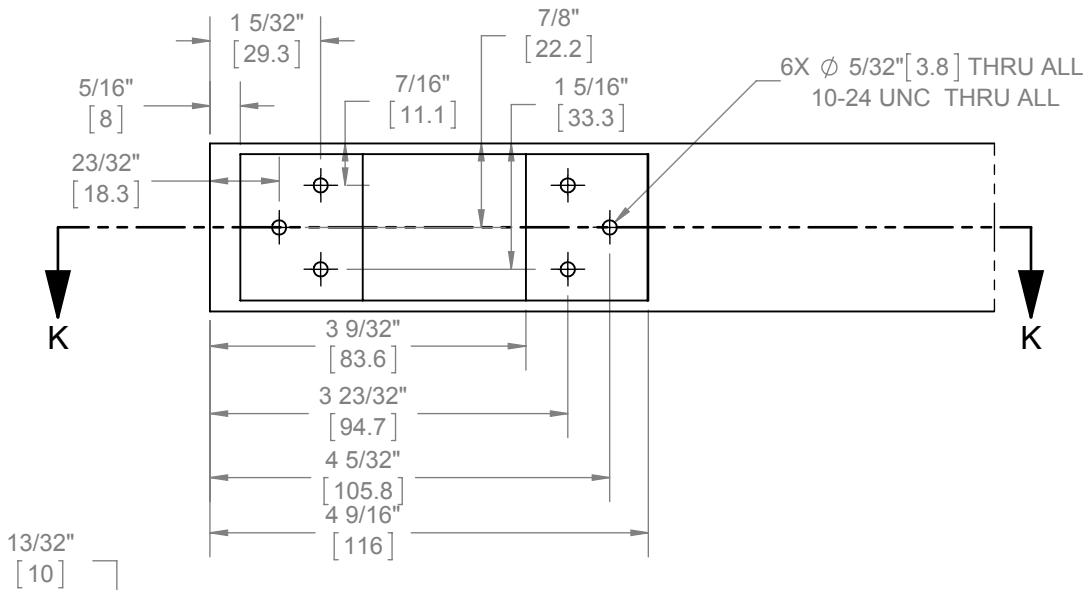
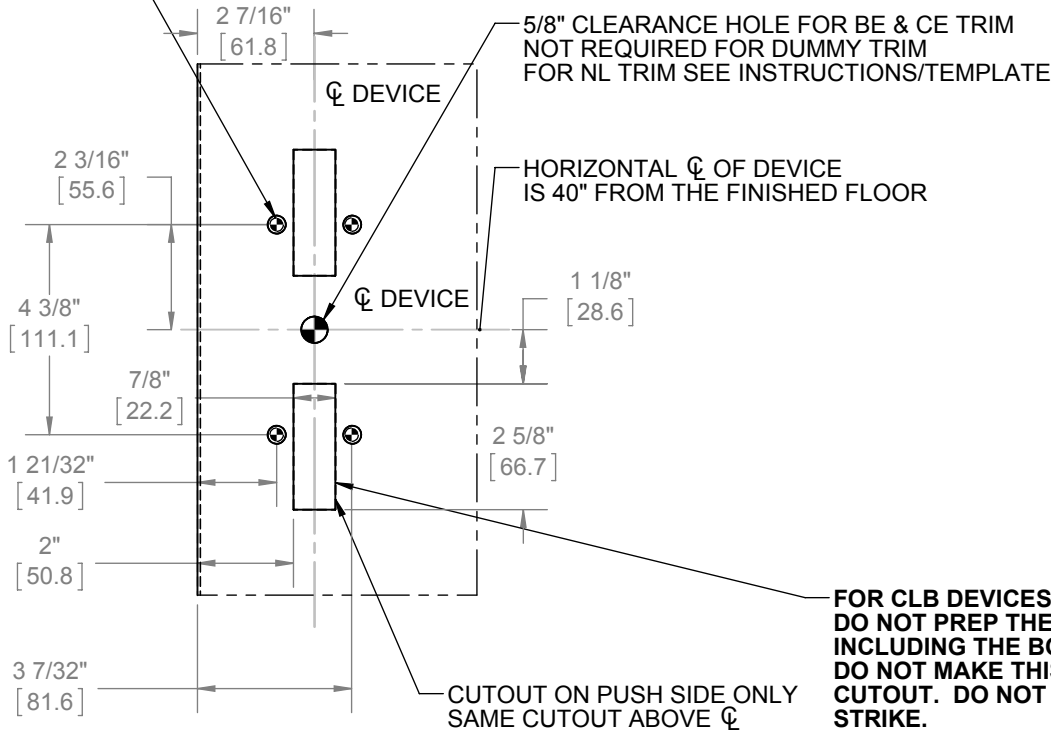
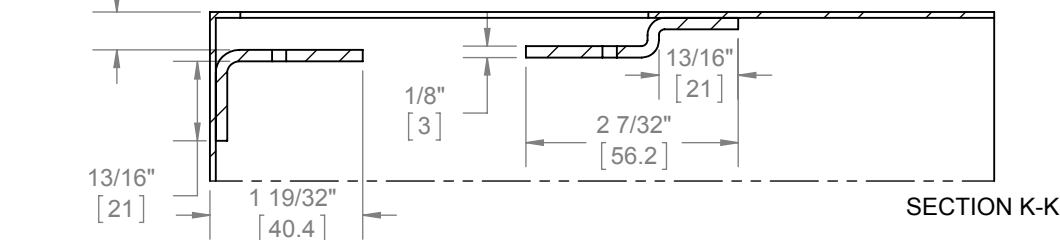


4500 CVR DEVICE METAL DOOR AND FRAME PREP TEMPLATE (FOR FIRE AND PANIC RATED DEVICES)

- (4X) **SURFACE MOUNTING:**
 DRILL/TAP FOR 1/4-20 MACHINE SCREWS
SEX BOLTS:
 DRILL 5/16" CLEARANCE HOLES ON PUSH SIDE, 3/8" HOLES ON PULL SIDE
TRIM:
 DRILL 5/16" CLEARANCE HOLES ON PUSH SIDE, 1/2" HOLES ON PULL SIDE

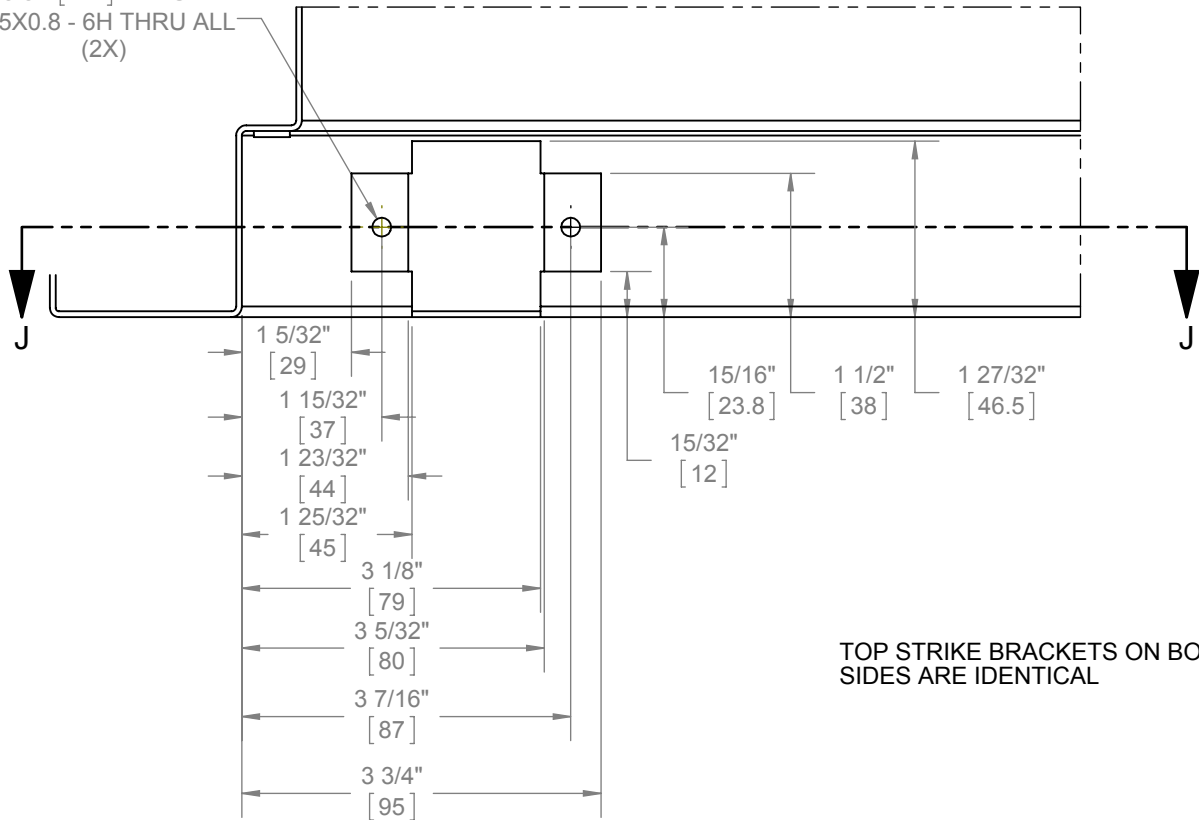


LATCH BRACKET PREP THE SAME AT BOTTOM AND TOP

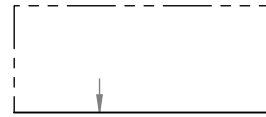
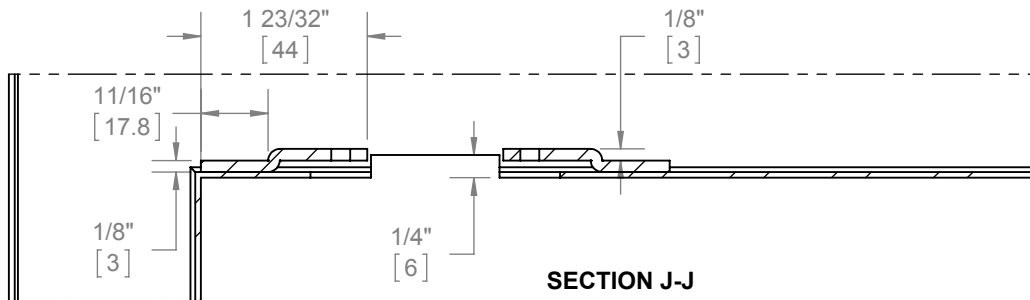


4500 CVR DEVICE METAL DOOR AND FRAME PREP TEMPLATE (FOR FIRE AND PANIC RATED DEVICES)

Ø 5/32" [4.2] THRU ALL
M5X0.8 - 6H THRU ALL
(2X)

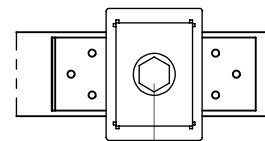


TOP STRIKE BRACKETS ON BOTH SIDES ARE IDENTICAL



$11/32''$ [9.1]

BOTTOM STRIKE IS PLACED INTO FINISHED FLOOR



$2 \frac{7}{16}''$ [61.8]

